

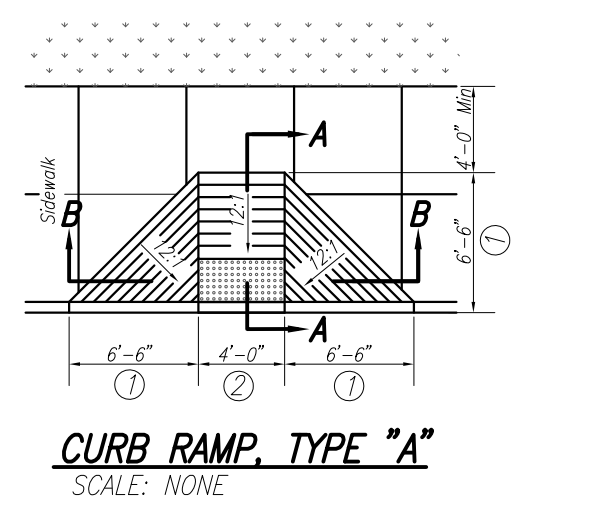
REVISIONS

Rev. No.	Description	Date

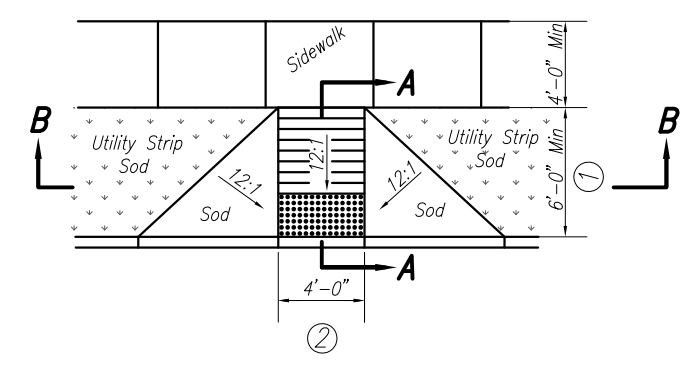
CERTIFIED BY:

Scale:
AS NOTED
Sheet:
4 of 17
Date:
8/11/09

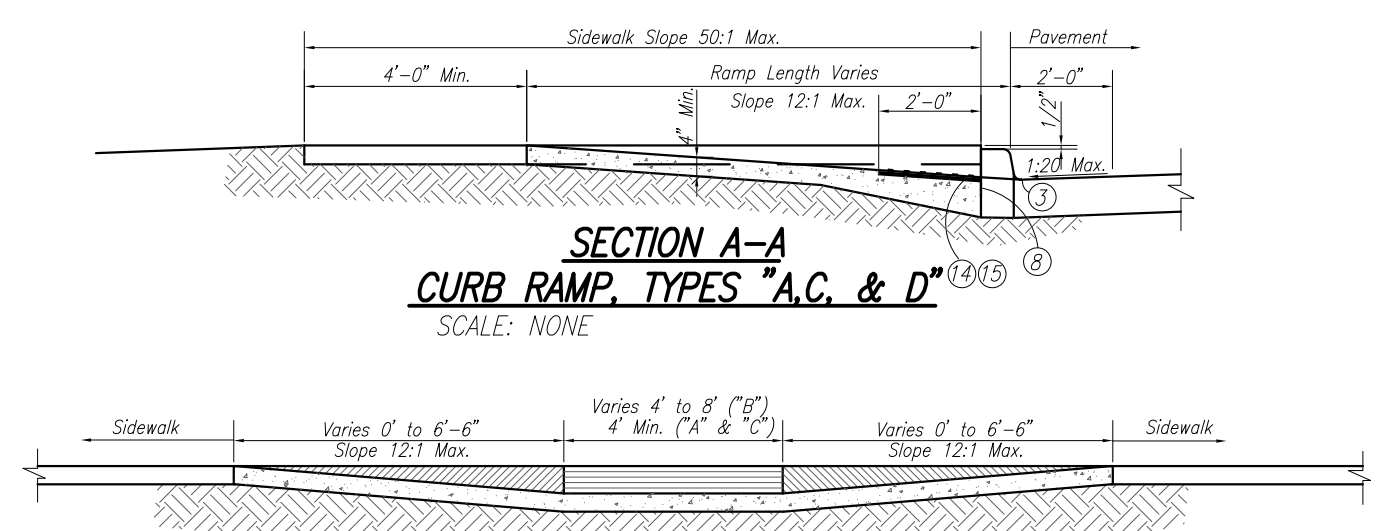
File Name: P:\LDD2\08-904-10 Cicero - Construction Standards\DMC PAVEMENT, CURB & SIDEWALK DETAILS AND NOTES.dwg Date: 5/11/2010 11:31:03 AM Plotted By: Stephens, George



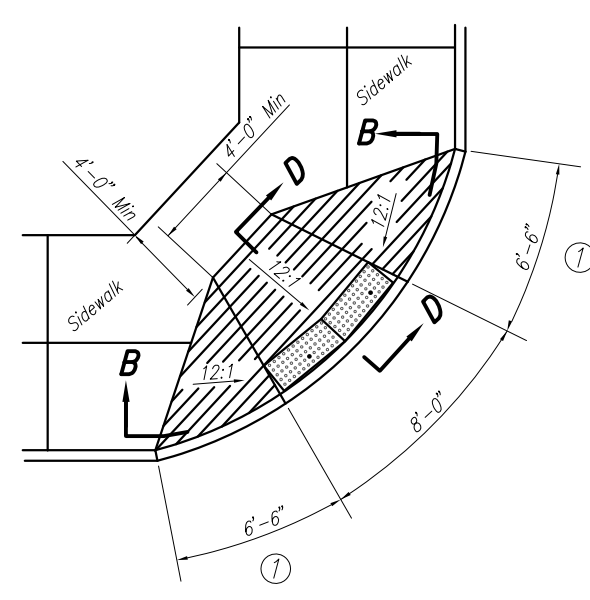
CURB RAMP TYPE "A"
SCALE: NONE



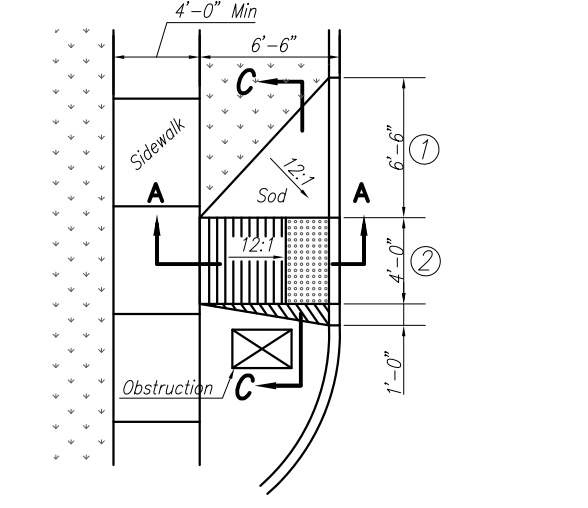
CURB RAMP TYPE "C"
SCALE: NONE



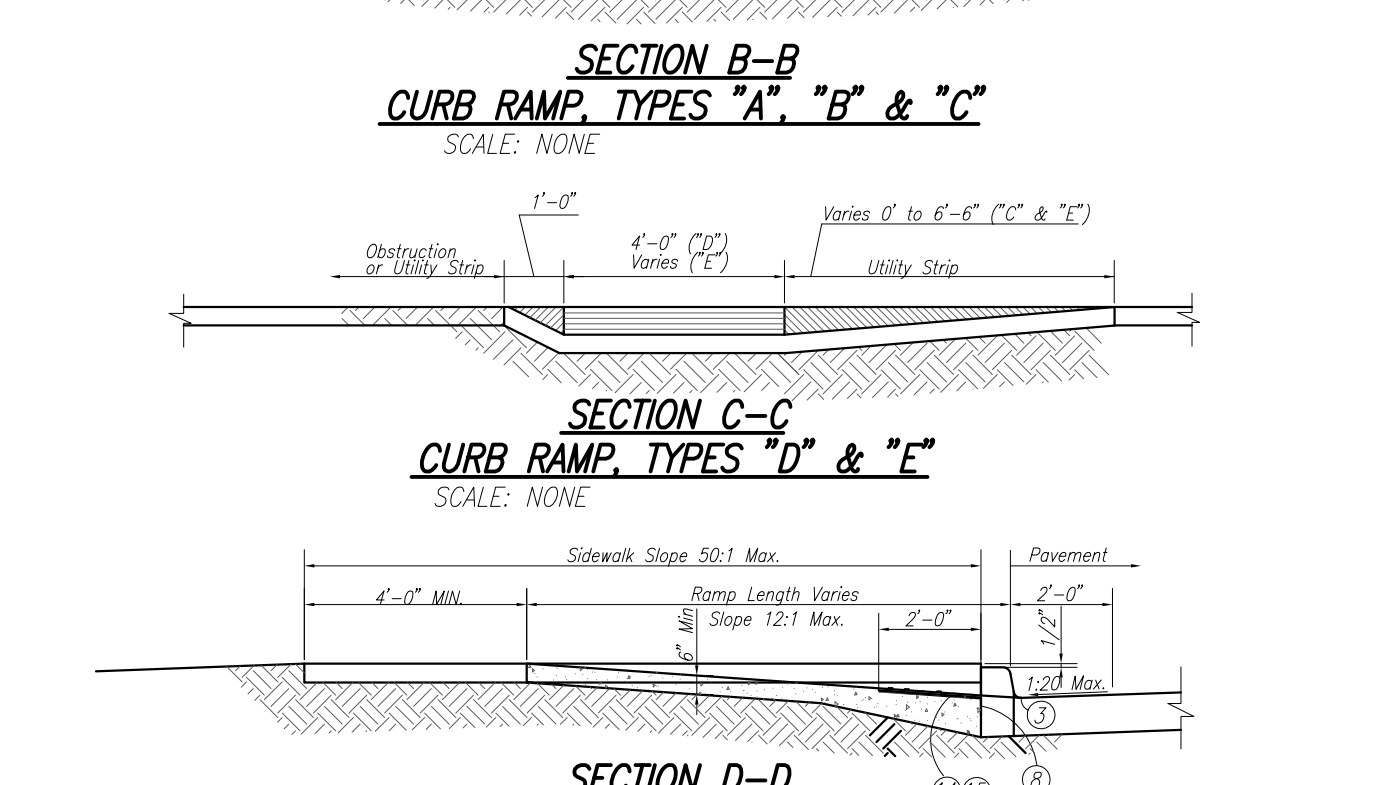
SECTION A-A
CURB RAMP TYPES "A.C. & D"
SCALE: NONE



CURB RAMP TYPE B
SCALE: NONE



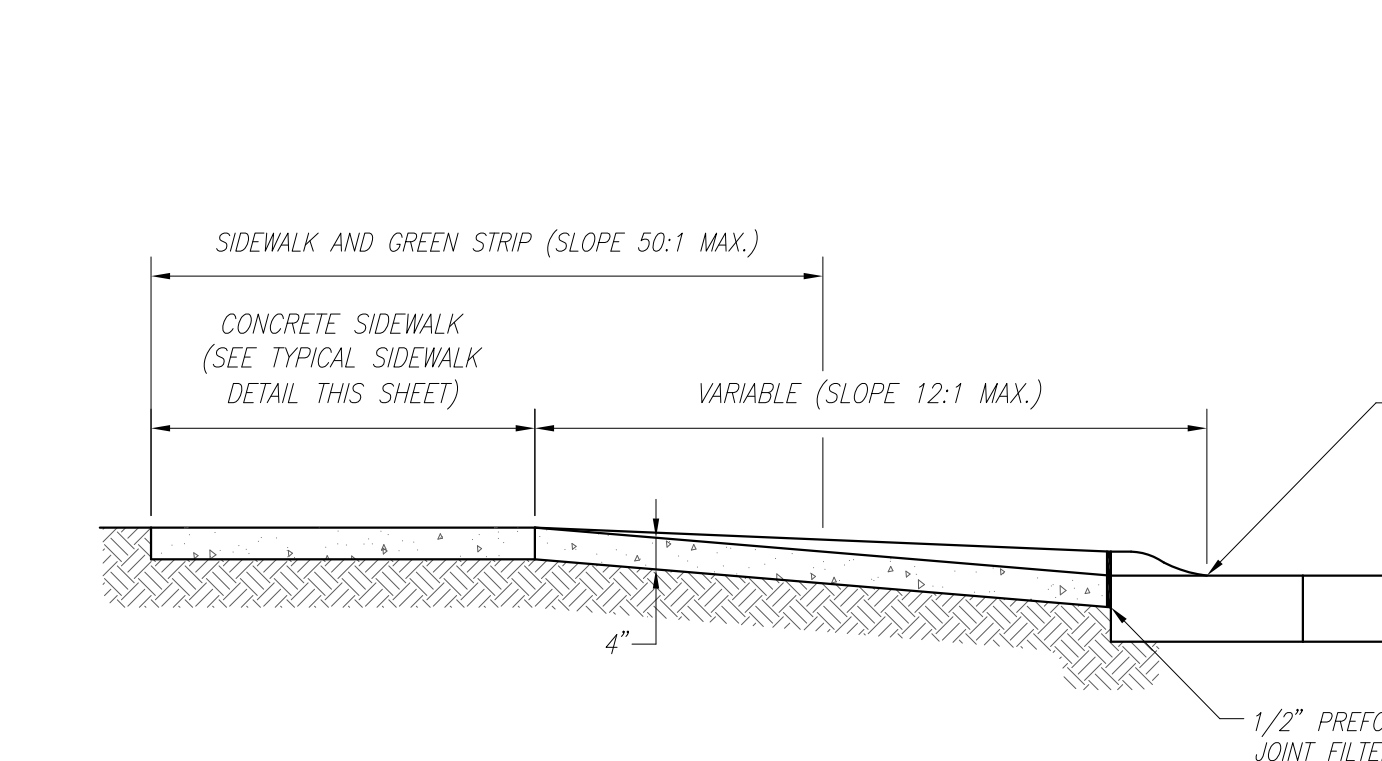
CURB RAMP TYPE "D"
SCALE: NONE



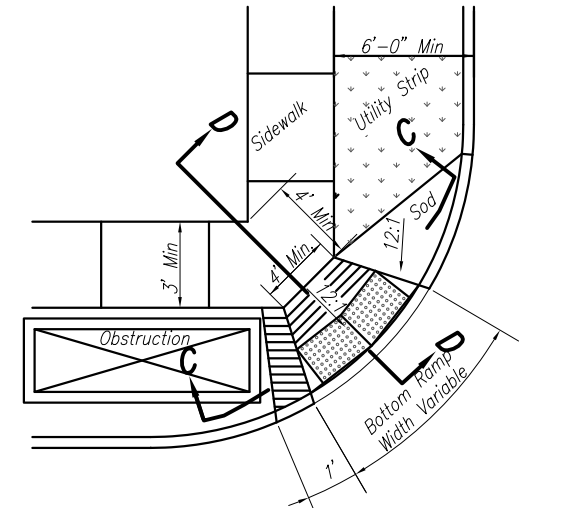
SECTION B-B
CURB RAMP TYPES "A", "B" & "C"
SCALE: NONE



SECTION C-C
CURB RAMP TYPES "D" & "E"
SCALE: NONE

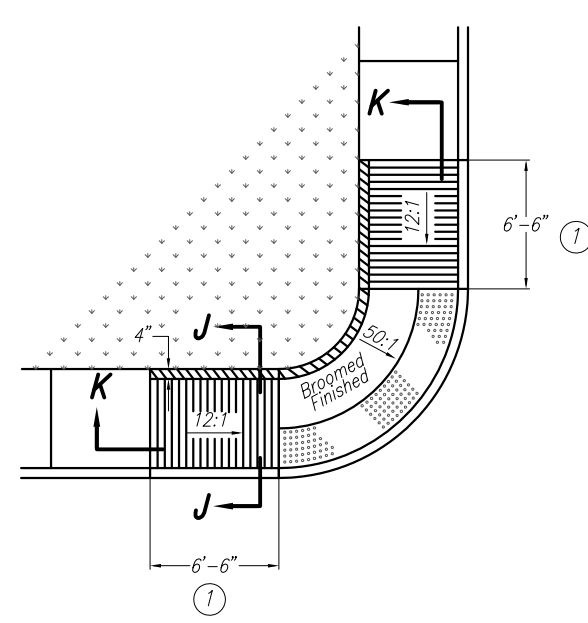


SECTION D-D
CURB RAMP TYPES "B" & "E"
SCALE: NONE

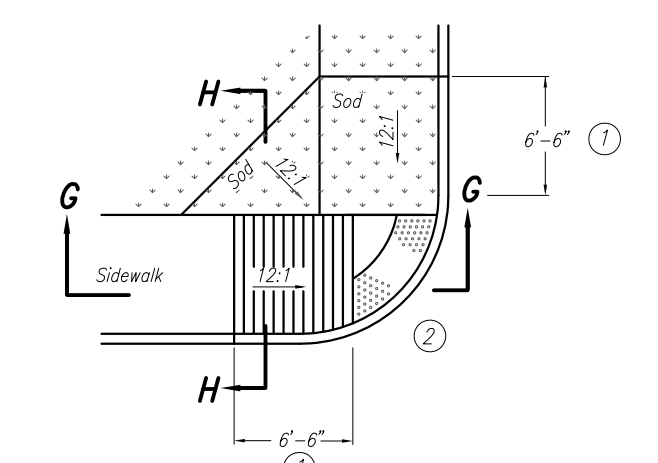


CURB RAMP TYPE "E"
SCALE: NONE

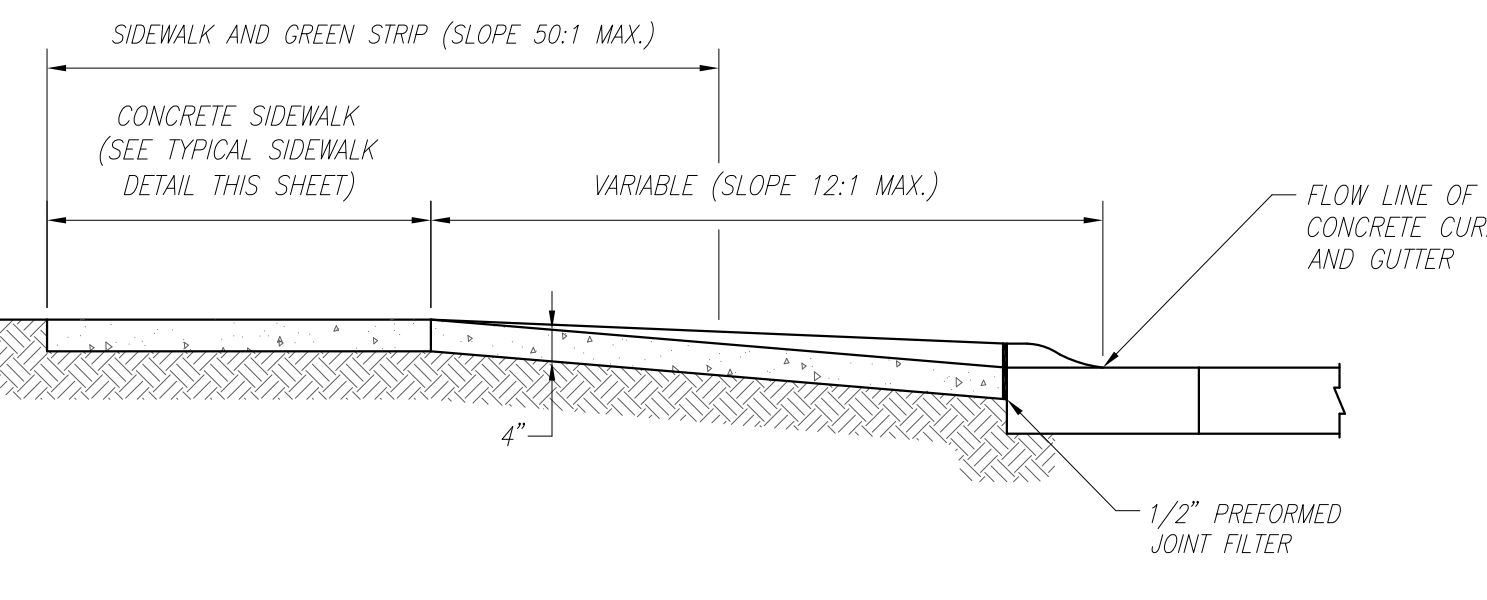
NOTES:
 13 See Detail F-1c for groove details.
 14 See Detail F-1c for details of the detectable warning.
 15 See Detail F-1c for alternate curb construction.
 16 See Detail F-1c for general notes.



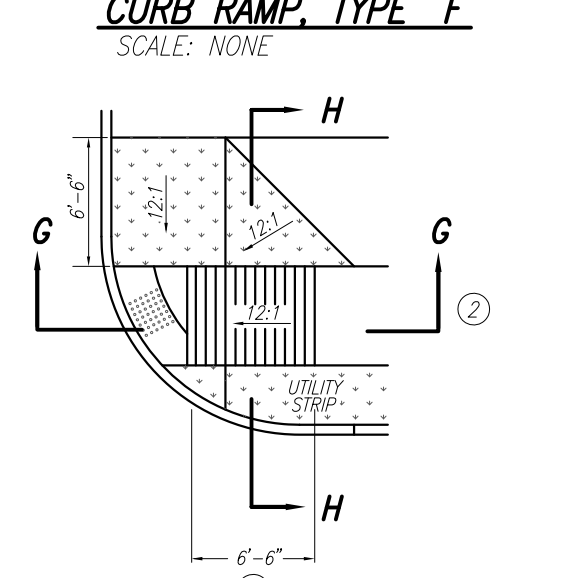
CURB RAMP TYPE "F"
SCALE: NONE



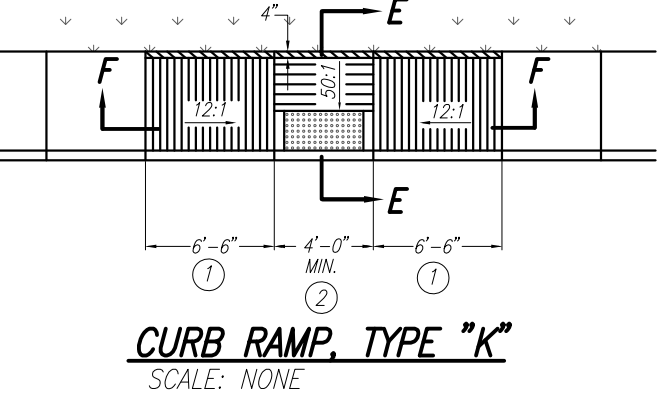
CURB RAMP TYPE "G"
SCALE: NONE



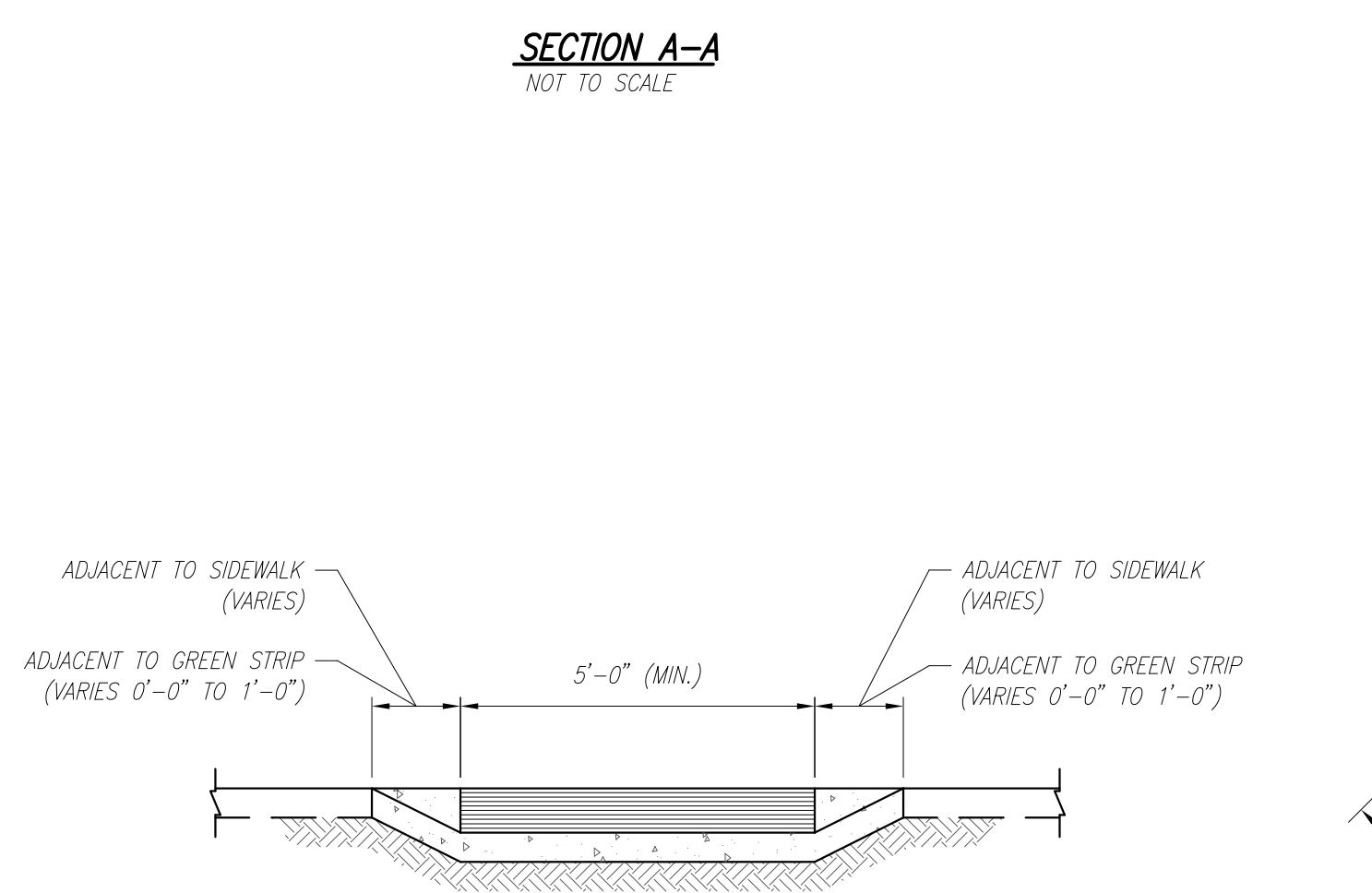
SECTION A-A
NOT TO SCALE



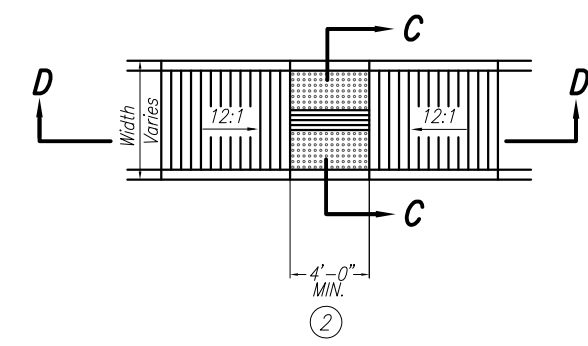
CURB RAMP TYPE "H"
SCALE: NONE



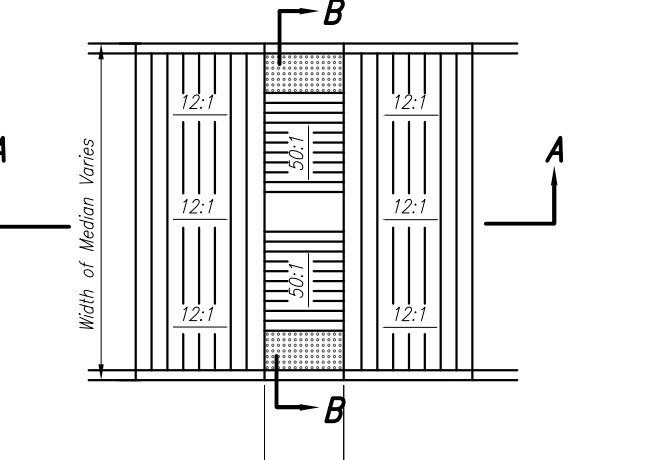
CURB RAMP TYPE "K"
SCALE: NONE



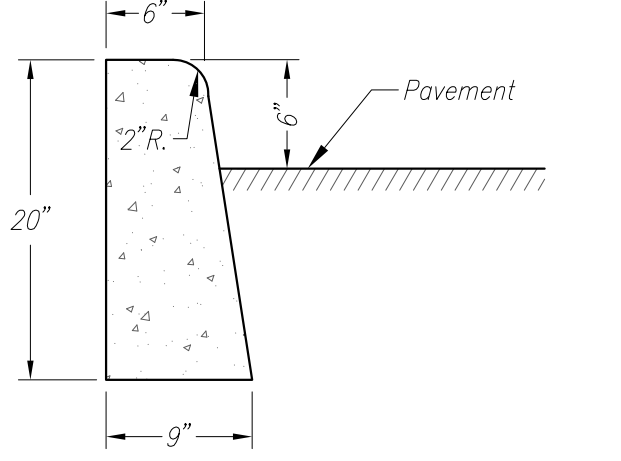
SECTION B-B
NOT TO SCALE



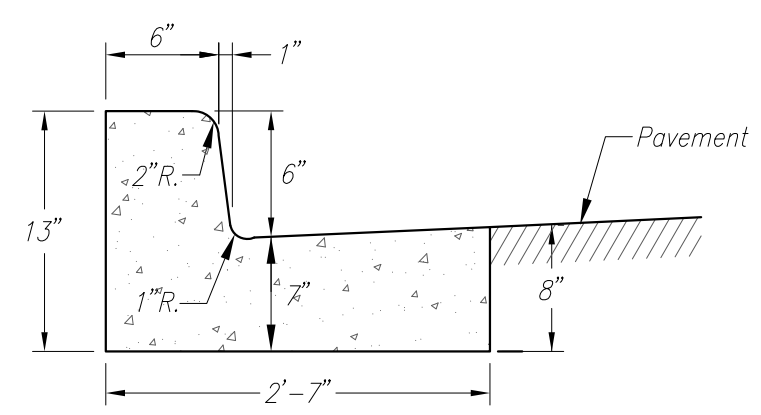
CURB RAMP TYPE "M"
SCALE: NONE



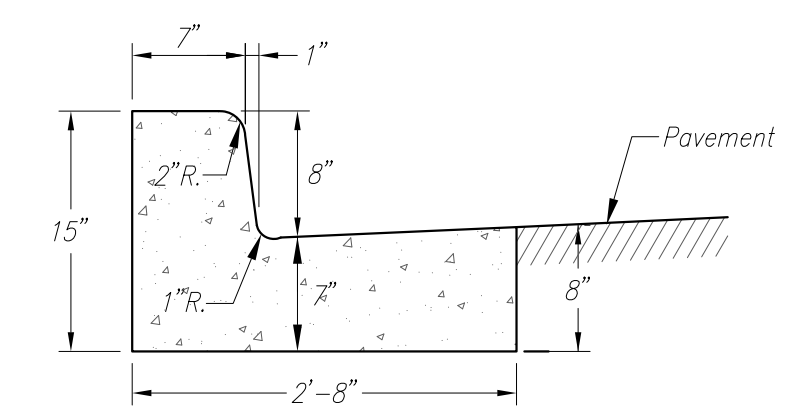
CURB RAMP TYPE "L"
SCALE: NONE



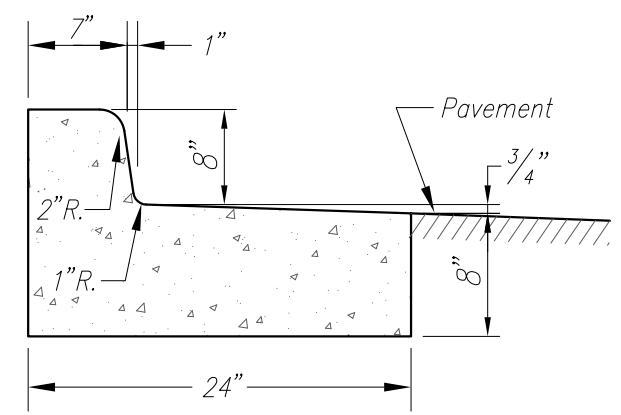
6" CONCRETE CURB
SCALE: NONE



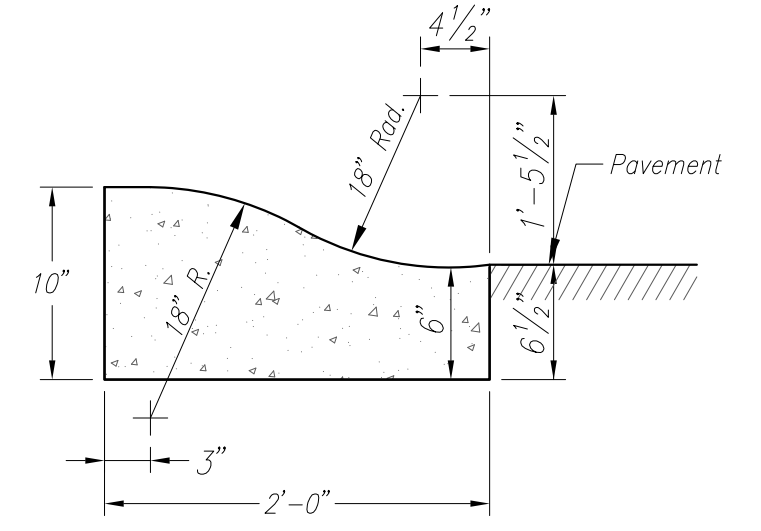
TYPE II
2'-7" COMBINED CURB AND GUTTER
SCALE: NONE



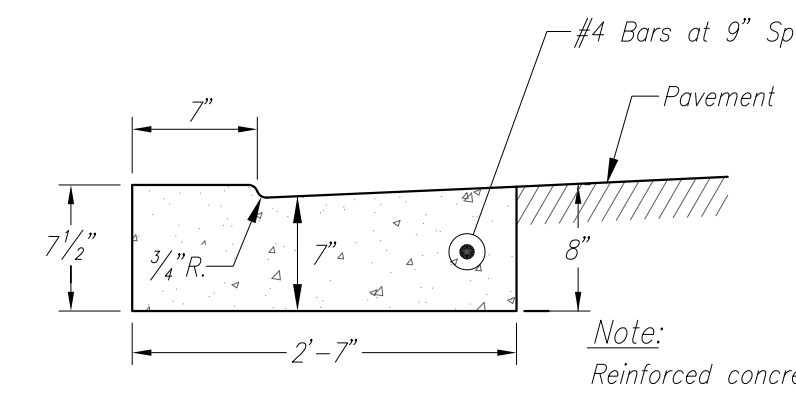
TYPE III
2'-8" COMBINED CURB AND GUTTER
SCALE: NONE



2'-8" REVERSE SLOPE CURB AND GUTTER
SCALE: NONE

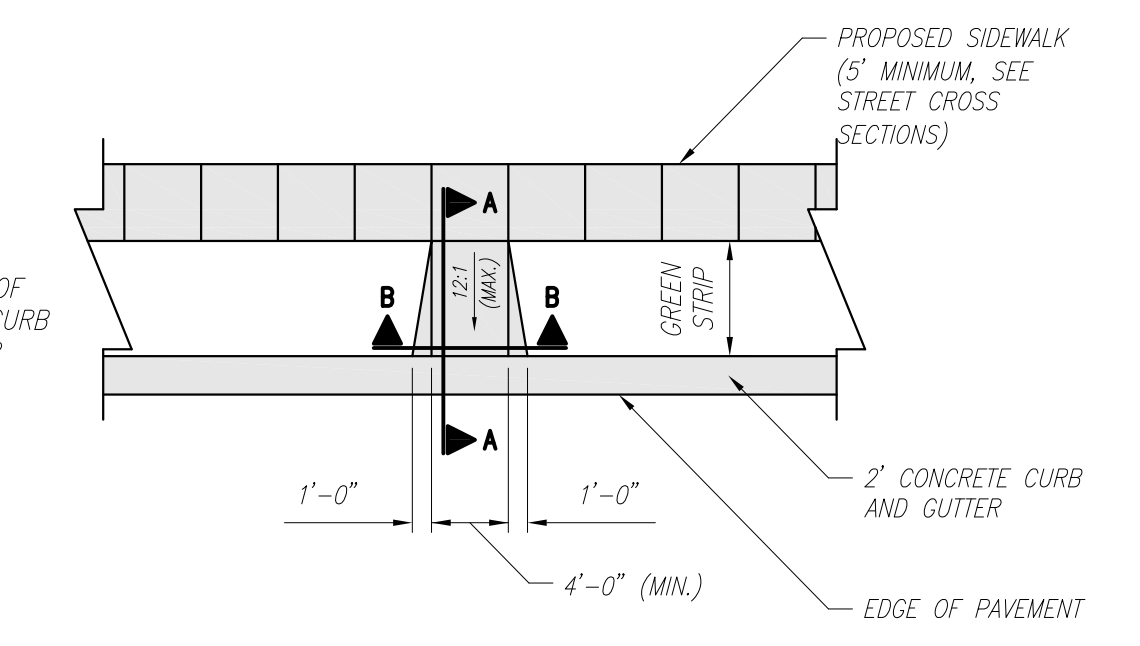


TYPE I
2'-0" ROLL CURB AND GUTTER
SCALE: NONE

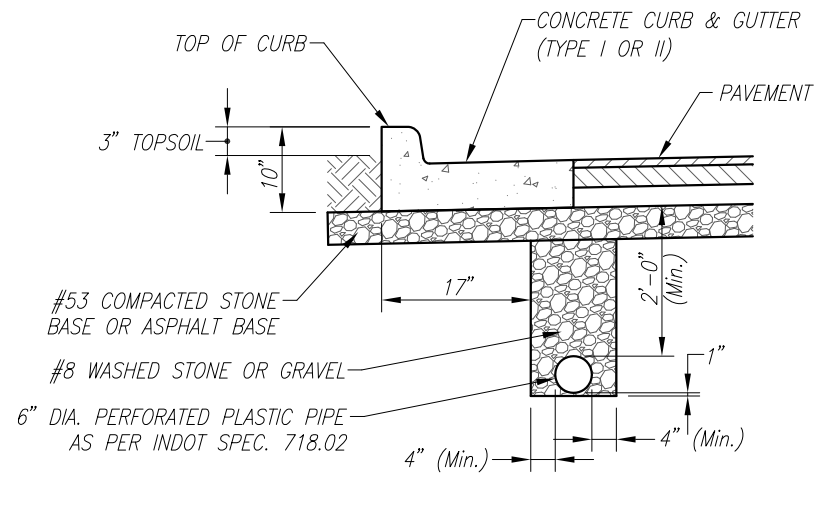


DEPRESSED REINFORCED GUTTER
SCALE: NONE

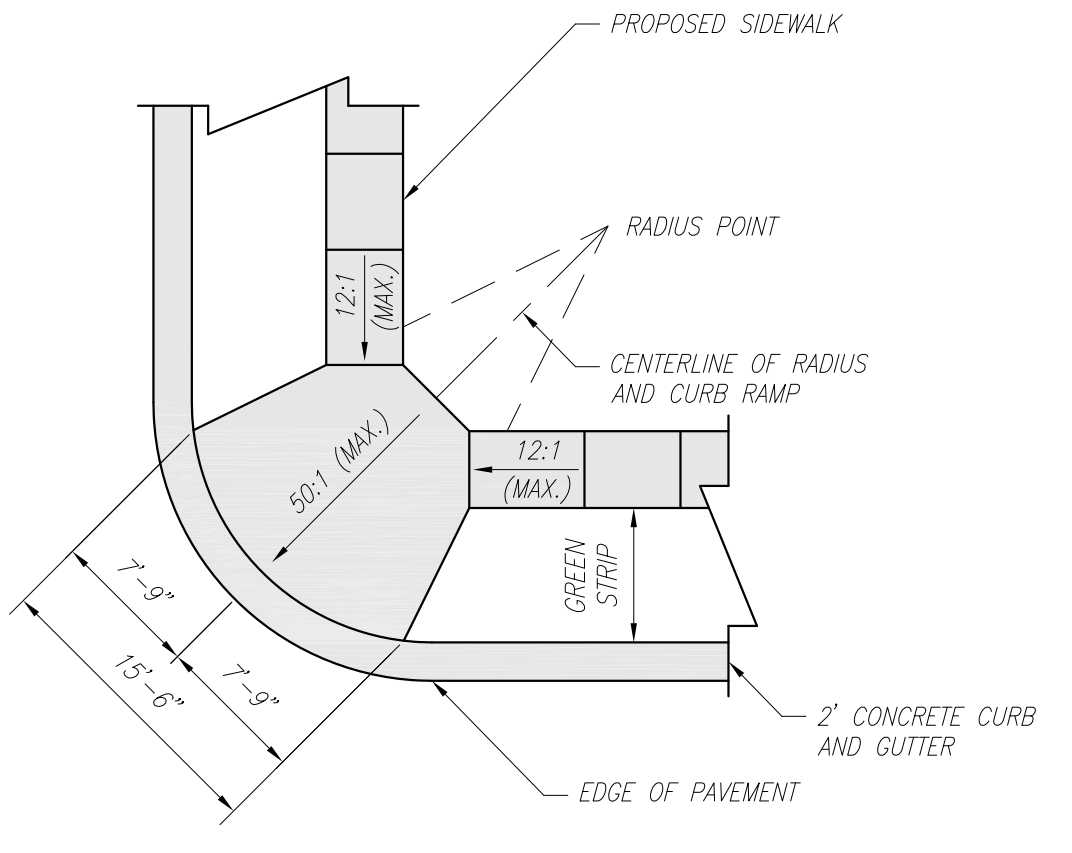
Note:
Reinforced concrete gutter is required at all private drives that intersect a public road with Type II 2'-7" combined curb and gutter or similar.



CURB RAMP TYPE "C"
NOT TO SCALE



CURB UNDERDRAIN DETAIL
SCALE: NONE



CURB RAMP TYPE "E"
NOT TO SCALE

HANDICAP RAMP CONSTRUCTION DETAILS